

Does your
shade seem
**TOO
SHORT?**
See p.4



Smartlift/Cordless Cellular • Pleated Shade Installation Guide

Important: Your shade may take time to drop to the full length.
Fully extend the shade and allow the fabric to relax for 48 hours.

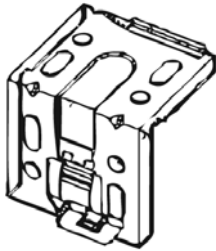


We make it easy!

Before starting

Your new Blinds To Go® shade is custom made to your specifications from the finest material available. The installation should be easy and your shade should fit beautifully.

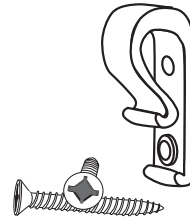
Parts



Brackets
Quantity: 2 or more depending
on width of shade

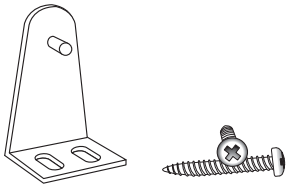


Mounting Screws
Quantity: 2 for each bracket

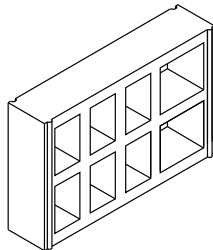


Cord cleat and screws
Quantity: 1 set
(only for Smartlift Shades)

Optional Hardware *(only provided for specific applications)*



Hold down brackets and screws
Quantity: 2 sets



Spacer blocks *(optional)*
Quantity: 1 for each regular bracket

Suggested Tools
• Drill
• Level
• Pencil
• Screwdriver
• Tape measure

Note: Mounting screws provided are suitable for most mounting surfaces. See below for additional suggestions.

For wallboard or plaster: Use hollow wall anchors provided for added support.

For concrete, stone, brick or tile: Use a carbide drill and appropriate anchors before fastening the screws.

For metal surfaces: Pre-drill holes before fastening the screws.

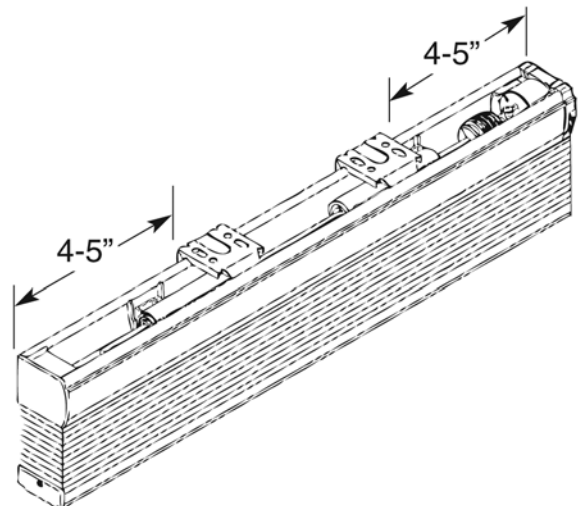
Getting started

Step 1. Mounting brackets

1. Hold the shade where you want to mount it and mark **approximately 4-5"** in from each end of the headrail. This is where your brackets will go. We recommend you use a level to ensure bracket alignment.

When more than two brackets are supplied, position the additional brackets **evenly between** the two end brackets.

Important: Under all circumstances, the brackets should be positioned to avoid interfering with the operating components in the headrail.



2. Mount the brackets as illustrated.

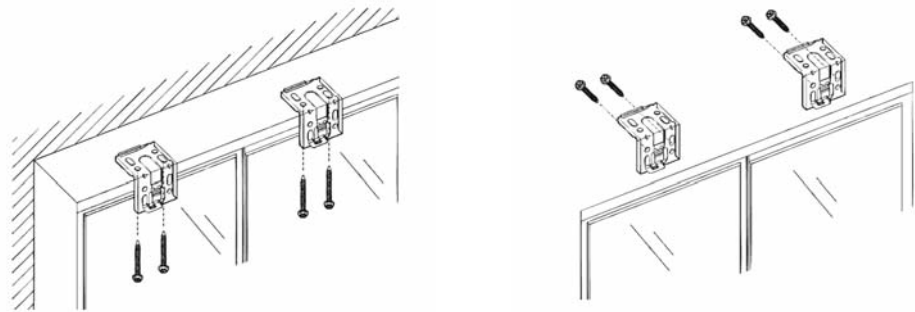
inside mount

(Shade is mounted inside the window frame, either at the top or to the two sides of the frame)

outside mount

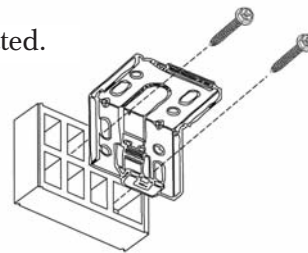
(Shade is mounted either on or outside the window frame)

For the shade to be flush within the frame, the front edge of the brackets should be flush with the front edge of the frame.



Note: If you have ordered spacer blocks, apply as illustrated.

applying spacer blocks (optional)



Step 2.

Fitting the shade into the brackets

1. Lower your shade 3"-4" to ensure the back of the headrail has no fabric clinging to it (for *Smartlift*, pull down on the front cord to lower the shade. For cordless, grab the bottomrail at its center point and gently pull down).

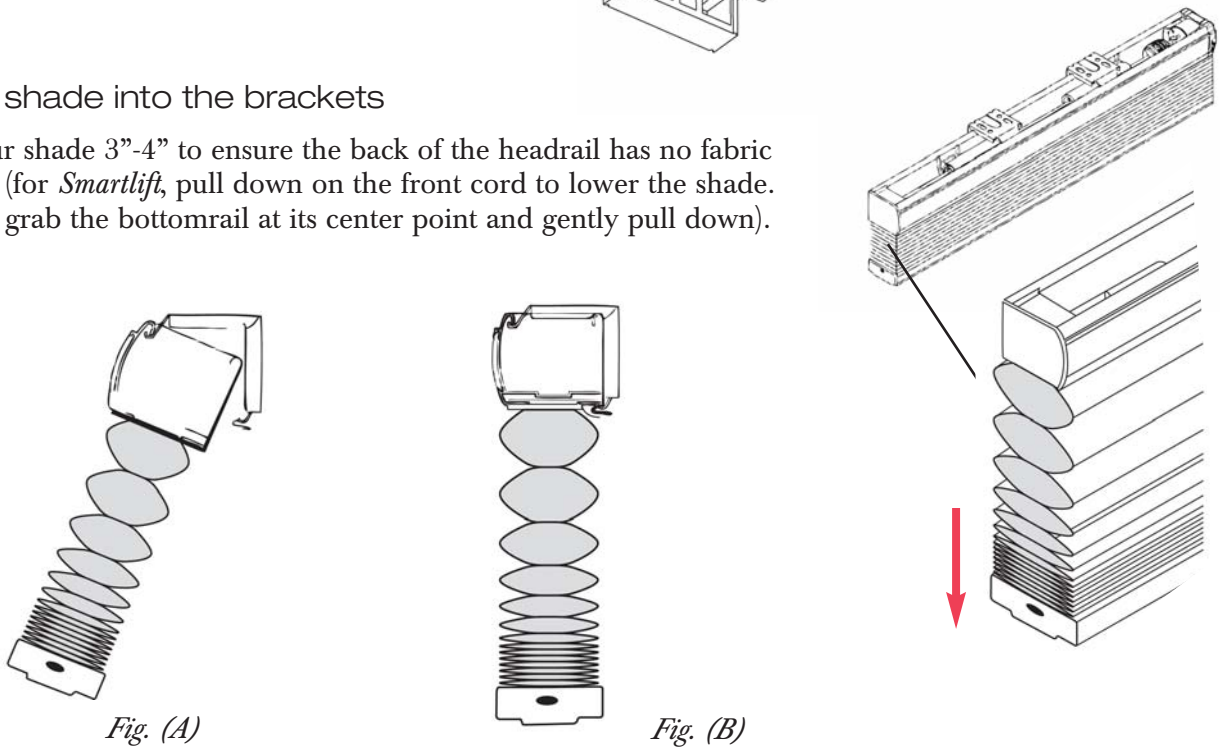


Fig. (A)

Fig. (B)

2. See (Fig. A). Insert the front of the headrail at an angle to the front lip on the bracket.

3. See (Fig. B). Push the headrail in and rotate the back upward so that it is flush against the bracket, engaging the back locking tab.

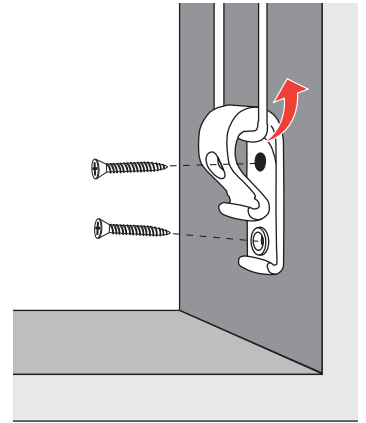
Caution: Take care that no fabric pleats get caught between the back of the headrail and the bracket.

Note: To remove the shade, while pushing back on the shade to disengage back locking tab, rotate the back off the headrail down. The shade should then release out of the brackets.

Step 3. Securing the cord loop *(child safety measure for Smartlift Shades only)*

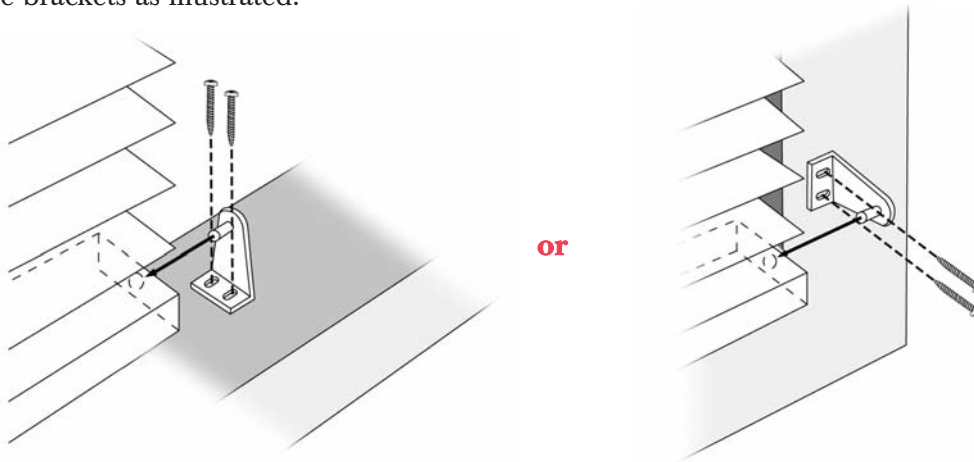
To ensure maximum efficiency of operation, and to protect small children from strangulation, you need to secure the cord loop that raises and lowers the shade, by using the attached plastic tie-down device.

1. Pull the device down for good tension, but not so tight that rotating the cord loop becomes difficult.
2. Attach the tie-down device to the wall/window frame with the screws provided, as illustrated.



Step 4. Mounting hold down brackets *(optional, only if ordered)*

1. Lower the shade to the desired height. Position the hold down bracket to align the tab to the holes of the end caps of the bottom rail.
2. Mount the brackets as illustrated.



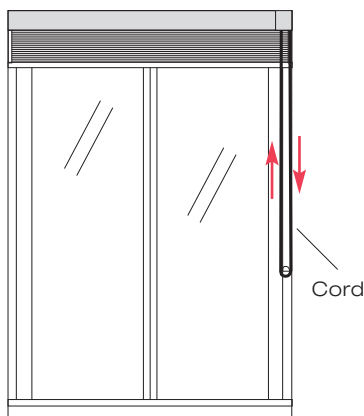
IMPORTANT OPERATING INSTRUCTIONS

SMARTLIFT

1. To position your shade, simply rotate the cord loop: Pull on the front cord to lower the shade and pull on the back cord to raise the shade. Continue until the shade has attained the desired height.

CORDLESS

1. To operate, grasp the middle of the bottom rail, then raise or lower the shade until it has reached its desired height.
2. To straighten a shade hanging unevenly, fully extend it and then raise it from the middle. Do not lift quickly as this creates slack in the ribbons.



Fabric pleats can take up to 48 hours to fully extend! **If your shade appears SHORT:**

1. For Smartlift, lower the shade all the way by rotating the cord loop. For Cordless mechanism, grasp the middle of the bottom bar, pulling down the shade as far as it will go.
2. **Let hang for 48 hours.**
3. When over-extended, the shade will creep back to the designed length. This is not a defect but is a function of how the shade operates.