

BLINDS To Go™

Serenity Shade Installation Guide



We make it easy!

Before starting

Your new Blinds To Go® Serenity shade is custom made to your specifications from the finest material available. The installation should be easy and your shade should fit beautifully.

Mounting Options

Inside mount: Shade is mounted inside the window frame, either to the top of the frame or to the sides.

Outside mount: Shade is mounted either on or outside the window frame.

Note: Mounting screws provided are suitable for most mounting surfaces. See below for additional suggestions.

For wallboard or plaster: Use hollow wall anchors for added support.

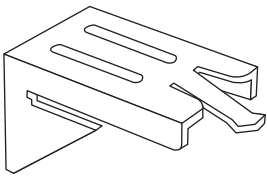
For concrete, stone, brick or tile: Use an appropriate drill bit and appropriate anchors before fastening the screws.

For metal surfaces: Pre-drill holes before fastening the screws.

Suggested Tools

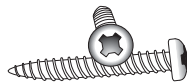
- Drill
- Level
- Pencil
- Screwdriver
- Tape measure

Parts



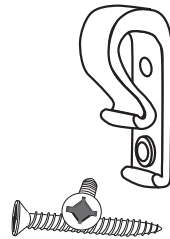
Mounting brackets

Quantity: 2 or more depending on width of blind



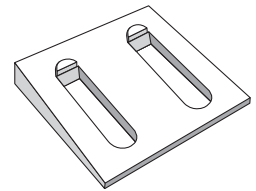
Screws

Quantity: 2 per bracket



Tie-down device and screws

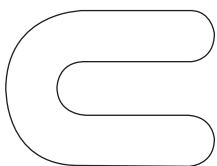
Quantity: 1 set



Plastic wedges

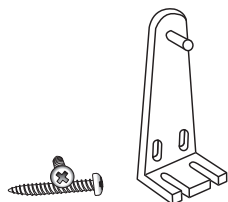
Quantity: 1 per bracket

Optional Hardware *(only provided for specific applications)*



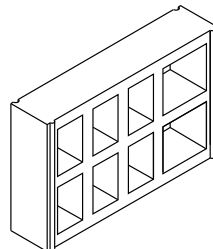
U shims

Quantity: 1 per bracket



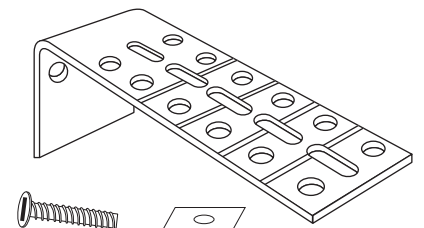
Hold-down brackets and screws

Quantity: 2 sets



Spacer blocks

Quantity: same number as mounting brackets



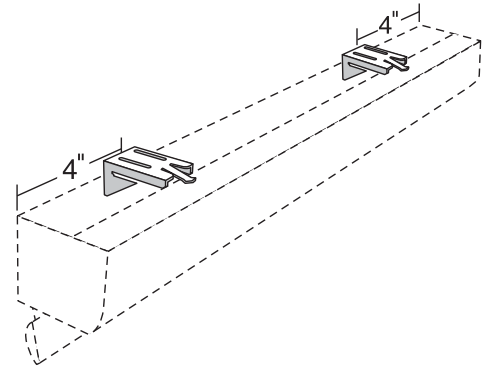
Extension brackets

Quantity: 2

Getting started

Step 1. Mounting brackets

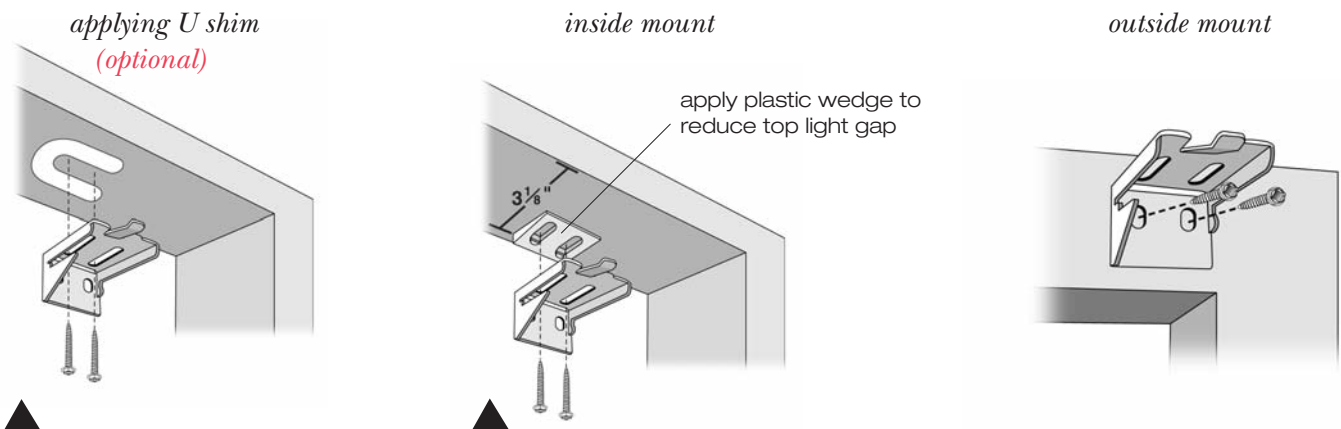
1. Hold the shade to where you want to mount it and mark **approximately 4" in from each end of the headrail**. This is where your brackets will go. This can also be done by measuring the headrail and marking the corner positions of the headrail on the mounting surface. Then mark approximately 4" in from each end. In each case, we recommend you use a level.



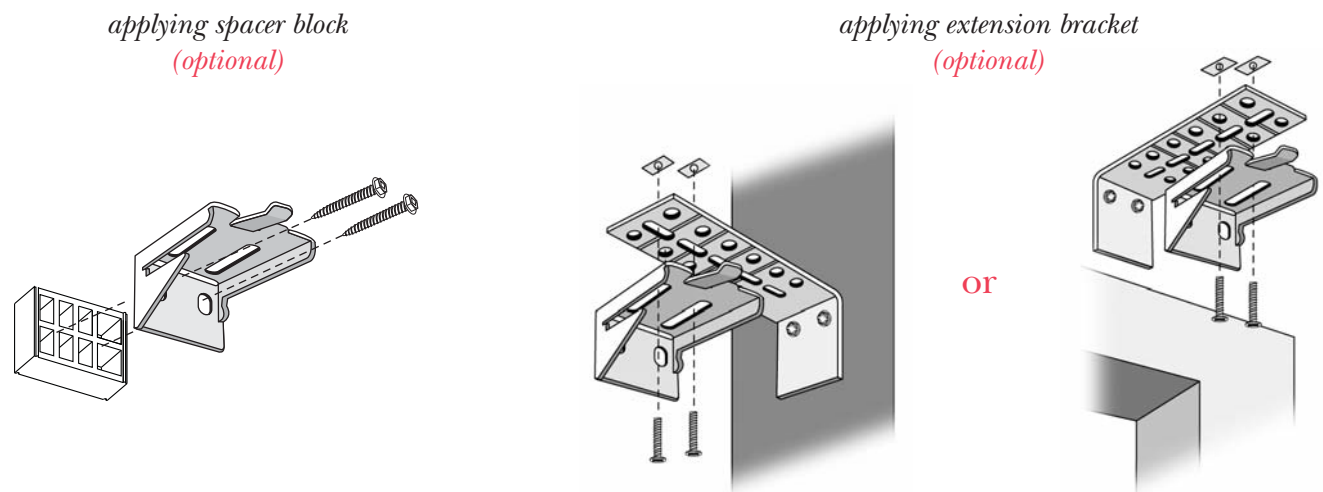
Note: When more than two brackets are supplied, position the additional brackets **evenly between** the two end brackets.

2. Using 2 screws per bracket, fasten the brackets to the mounting surface. When required, apply the U shims to ensure that the headrail is mounted level.

Note: If you have ordered *spacer blocks* or *extension brackets*, apply as illustrated.

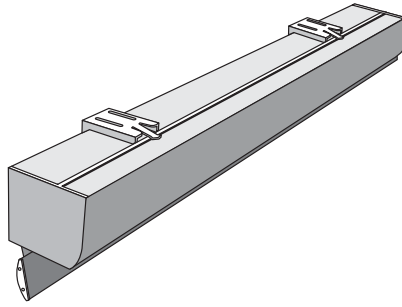


For the blind to be flush within the frame, the back edge of the brackets should be 3 1/8" back from the front of the frame.



Step 2. Fitting the shade into the brackets

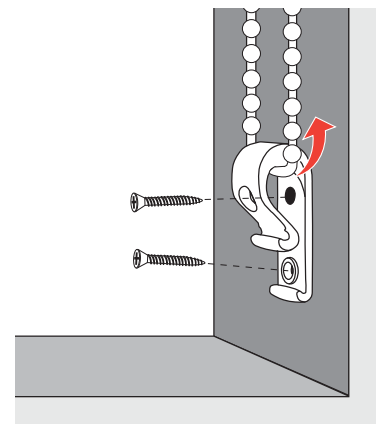
Note: Make sure the shade is in the closed position before mounting the shade.



Step 3. Securing the chain loop

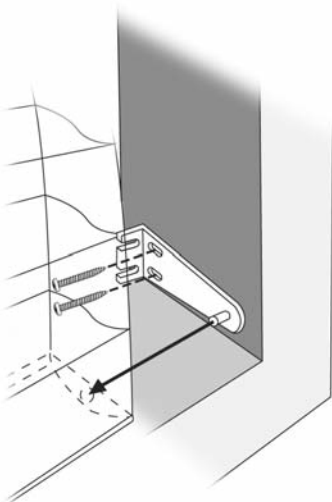
To ensure maximum efficiency of the Sidewinder System and to protect small children from strangulation, you need to secure the cord loop that raises and lowers the shade by using the attached plastic tie-down device.

1. Pull the tie-down device down so that there is no slack in the chain, but not so tight as to impede the chain.
2. Attach the tie-down device to the wall/window frame with flat head screws provided.



Step 4. Mounting hold down brackets *(only if you have ordered hold down brackets)*

1. Lower the shade to the desired height.
2. Position the hold down brackets so that their tabs are aligned with the holes at each end of the bottom rail.
3. Mount the brackets with the screws provided.



OR

